

## 32W LED Track Head

Improve your display lighting with the 32w LED track head. This track head is compatible with HALO style track and has an adjustable beam angle function making it a perfect fit for a wide range of applications. Improve the look of your displayed product and improve your customer experience with premium colours using high CRI and High R9 colour rendering technology.



### FEATURES

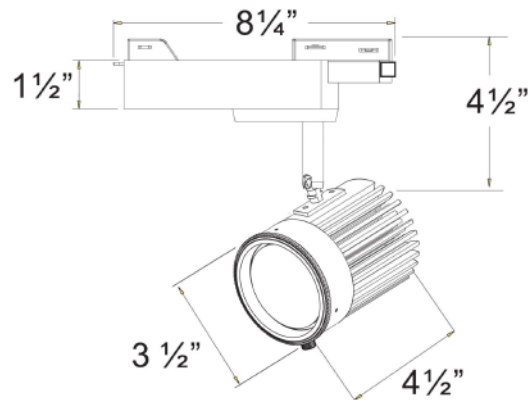
- Outstanding Optical Design with adjustable beam angle from 20 to 40 degrees.
- Heat sink is made with forged aluminum, for superior heat dissipation.
- Attractive styling and durability.
- Life span of more than 50,000 hours.
- 120V Input Voltage
- 32W Power with High CRI / GAI colour rendering.
- 50,000 hour life span
- Available in 3000K to 4000K.
- Saves up to 80% energy consumption compared to traditional lighting.

# GWL NOVUS

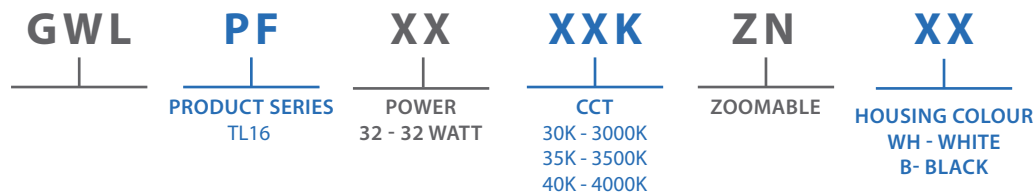
## Product Parameters

MODEL	WATTS	INPUT VOLTAGE	LUMINOUS FULX	CCT	CRI	BEAM ANGLE	WARRANTY	WORKING TEMP	MATERIAL
GWL-TL16-32-XXK-ZN-XX	32	AC120V	> 3200 lm	3000K 3500K 4000K	≥90	20° to 40° Adjustable	5 years	-30° - 45° C	Aluminium & PC

## Product Dimensions



## Product Order Code



## Product Accessories



RATED VOLTAGE PER CIRCUIT - 120V /20A

**TRACK 8 FOOT LENGTH**  
PRO-0308W (8FT White)  
PRO-0308B (8FT Black)



**LIVE END CONNECTOR**  
PRO-0331W (White)  
PRO-0331B (Black)



**TRACK COUPLING**  
PRO-0333W (White)  
PRO-0333B (Black)



**L CONNECTOR**  
PRO-0335W (White)  
PRO-0335B (Black)

