

## LINEAR LOW BAY 40W-75W

A terrific source of light for any size restricted architectural applications. Our low bays offer a direct replacement for any commercial, industrial, retail and residential where illumination is required.



### FEATURES

- Outstanding optical design providing an efficient light source for size restricted areas.
- Anti-glare design enables a high safety rating.
- Built-in thermal conductivity aluminum heat sink ensures excellent heat dissipation extending lifespan.
- Dimming to 10%, Dimmable motion sensor available.
- Wide input voltage, AC100-277/AC200-480V.
- Available in 40W and 75W.
- Suitable for damp locations.
- Saves up to 60% energy consumption compared to traditional lighting.

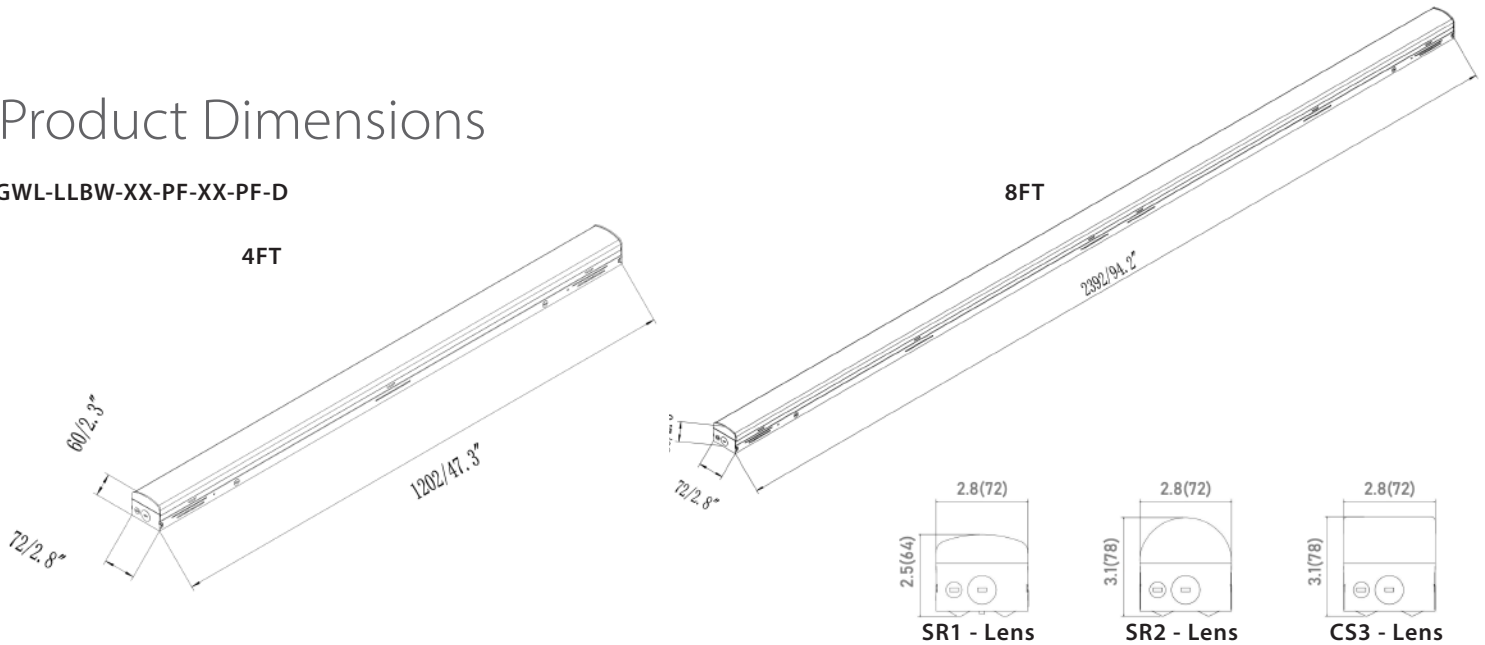
# GWL NOVUS

## Product Parameters

MODEL	WATTS	INPUT VOLTAGE	LUMINOUS FLUX	CCT	CRI	BEAM ANGLE	WARRANTY	WORKING TEMP	MATERIAL
GWL-LLBW-4-40-34-PF-D-XX	40W	AC120-347V	≥5240lm	3500K	≥80	110°	5 years	-20° -50° C	Aluminium & PC
GWL-LLBW-8-75-34-PF-D-XX	75W		≥9830lm	4000K 5000K					

## Product Dimensions

GWL-LLBW-XX-PF-XX-PF-D



## Product Order Code

<b>GWL</b>	<b>PF</b>	<b>XX</b>	<b>PF</b>	<b>XX</b>	<b>PF</b>	<b>D</b>	<b>XX</b>
GWL	PRODUCT SERIES LLBW - Linear Low Bay Wide	SIZE 4 - 4Ft 8 - 8Ft	WATTAGE 40 - 40 watt 75 - 75watt	INPUT VOLTAGE 34 - AC120-347V	CCT 35K - 3500K 40K - 4000K 50K - 5000K	DIMMABLE D - Dimmable DS - Dimmable Motion Sensor	LENS SR1 SR2 CS3

