

LOW BAY LINEAR STRIP 18W-75W

A terrific source of light for any size restricted architectural applications. Our low bays offer a direct replacement for any commercial, industrial, retail and residential where illumination is required.



FEATURES

- Outstanding optical design providing an efficient light source for size restricted areas.
- Anti-glare design enables a high safety rating.
- Built-in thermal conductivity aluminum heat sink ensures excellent heat dissipation extending lifespan.
- Dimming to 10%.
- Wide input voltage, AC100-277/AC120-347V.
- Available in 18w to 75w
- Suitable for damp locations.
- Saves up to 60% energy consumption compared to traditional lighting.

GWL NOVUS

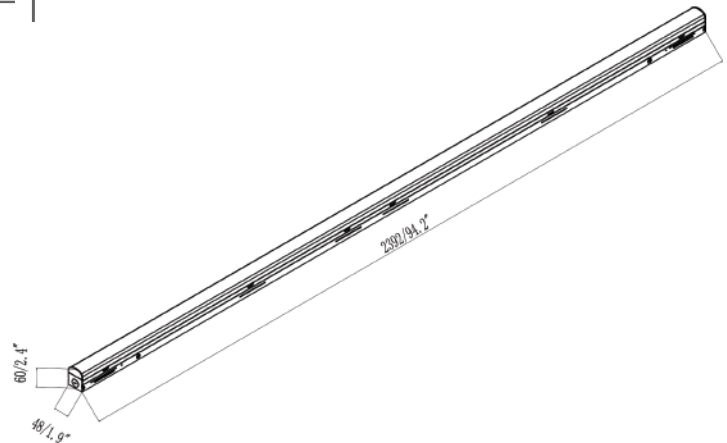
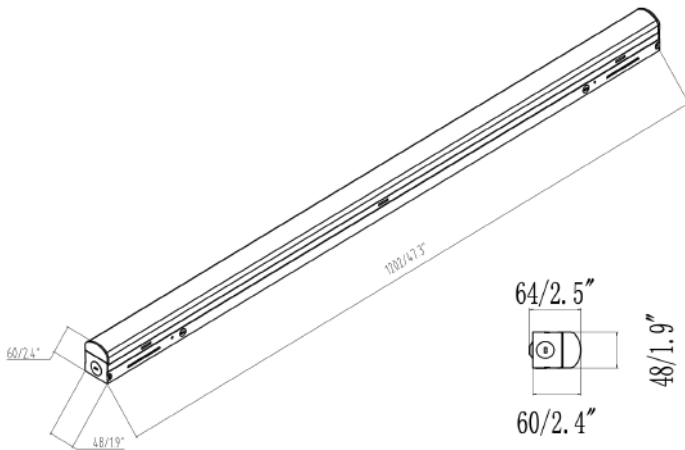
Product Parameters

MODEL	WATTS	INPUT VOLTAGE	LUMINOUS FLUX	CCT	CRI	BEAM ANGLE	WARRANTY	WORKING TEMP	MATERIAL
GWL-LLB-04-18-XX-PF-D	18W	AC100-277V or AC100-347V	≥2340lm	3500K 4000K 5000K	≥80	120°	5 years	-20° -50° C	Aluminium & PC
GWL-LLB-04-40-XX-PF-D	40W		≥5200lm						
GWL-LLB-08-46-XX-PF-D	46W		≥5980lm						
GWL-LLB-08-75-XX-PF-D	75W		≥9750lm						

Product Dimensions

4FT

8FT



Product Order Code

GWL	PF	XX	PF	XX	PF	D
GWL	PRODUCT SERIES LLB - Linear Low Bay	SIZE 04 - 4FT 08 - 8Ft	WATTAGE 18 - 18 watt 40 - 40 watt 46 - 46 watt 75 - 75 watt	INPUT VOLTAGE 120V - AC 100-277V 347V - AC 120V-347V	CCT 35K - 3000K 40K - 4000K 50K - 5000K	DIMMABLE D-Dimmable

